

PROCESSOR
252 SHEET 4
DSP AUDIO

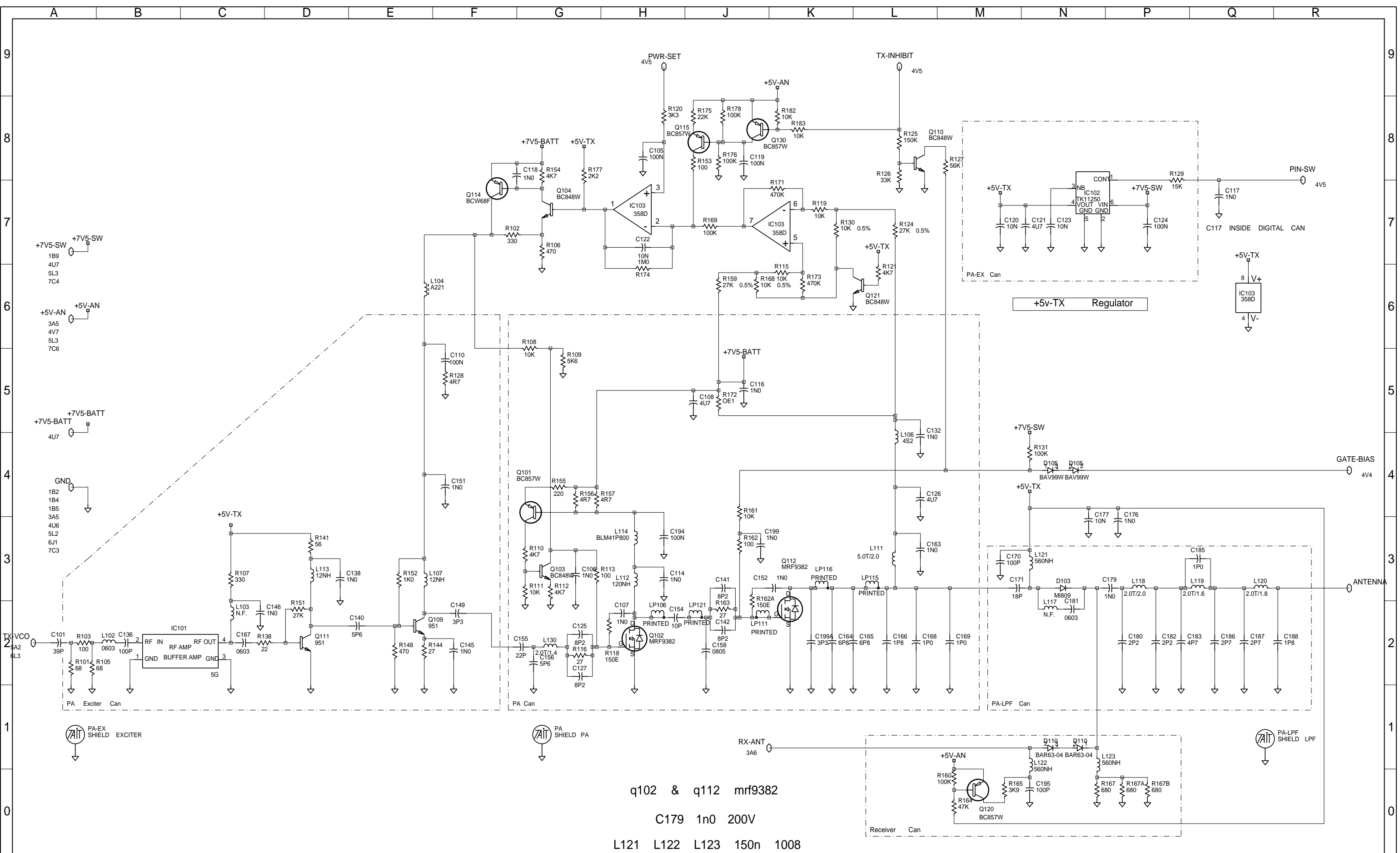
RECEIVER
246
RX-DET-AF, SQL-DET, SQL-SET, RSSI, WB/NB, RX-LO, RX-ANT, GND

SYNTH-VCO
2922
+14V, RX-LO, GND, LCK-DET, PWR-SAVE, /SY-EN, SY-CLK, TCXO-MOD, SY-DAT, VCO-MOD

POWER-AMP
93
+7V5-BATT, +7V5-BATT, TX-VCO, +5V-AN, +7V5-SW, TX-COM, GND, RX-ANT

| | |
|--------------------------|--------------------|
| © TAIT ELECTRONICS | |
| ORCA :TOP-SYSTEM DIAGRAM | 800MHZ |
| IPN: 220-01416-01 | ISSUE: B |
| DESIGNER: ORCA | FILE NAME: 141601B |
| DATE: 18-11-98 | NO.SHEETS: 7 |

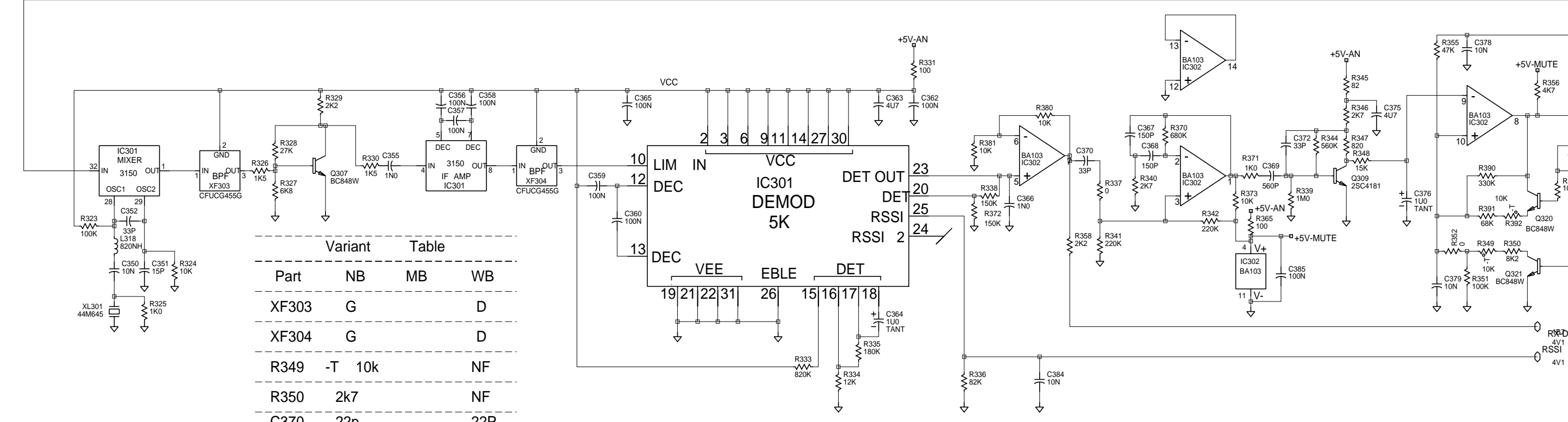
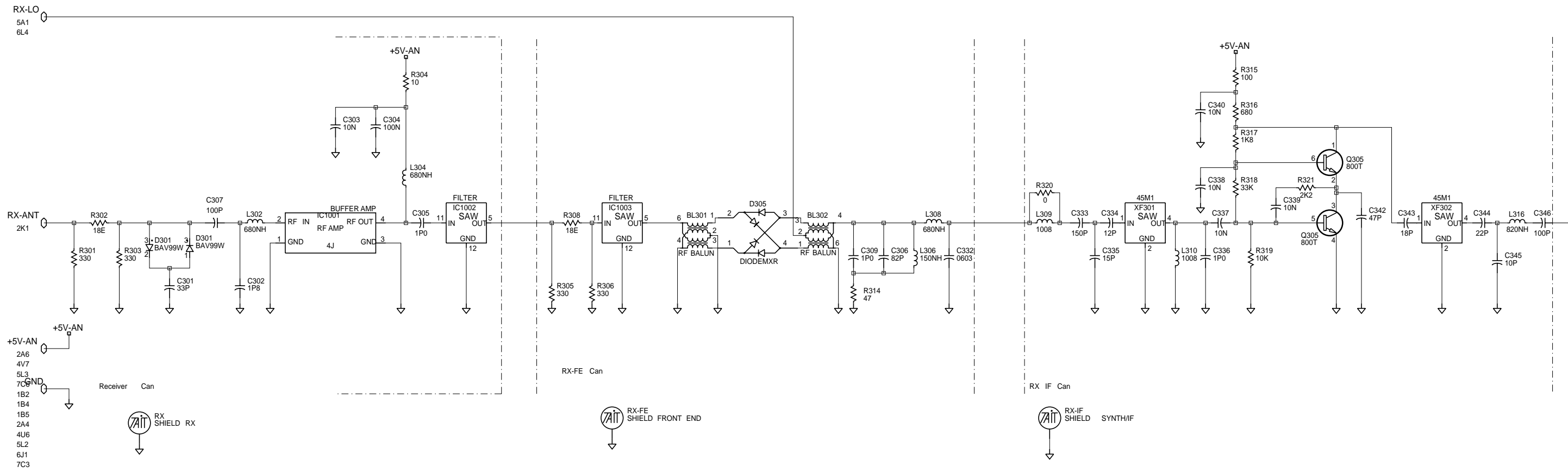
| | | | | | | |
|---------|------------------------|-------|------|------|------|------|
| 08 | UPDATED MUTE CIRCUITRY | DBH | | | | |
| REV/ISS | AMENDMENTS | DRAWN | CHKD | D.O. | APVD | DATE |



q102 & q112 mrf9382
 C179 1n0 200V
 L121 L122 L123 150n 1008

| | | | |
|--------------------|---------------|--------------------|---------------------|
| © TAIT ELECTRONICS | | ORCA :TOP- 800MHZ | |
| | | POWER AMPLIFIER | |
| IPN: 220-01416-01 | ISSUE: B | ID: 2.S.C. 2 | |
| PROJECT: ORCA | DESIGNER: BRD | FILE NAME: 141601B | FILE DATE: 18-11-98 |
| NO. SHEETS: 7 | | | |

| REV/ISS | AMENDMENTS | DRAWN | CHKD | D.O. | APVD | DATE |
|---------|------------|-------|------|------|------|------|
| A | | | | | | |
| B | | | | | | |
| C | | | | | | |
| D | | | | | | |
| E | | | | | | |
| F | | | | | | |
| G | | | | | | |
| H | | | | | | |
| J | | | | | | |
| K | | | | | | |
| L | | | | | | |
| M | | | | | | |
| N | | | | | | |
| P | | | | | | |
| Q | | | | | | |
| R | | | | | | |

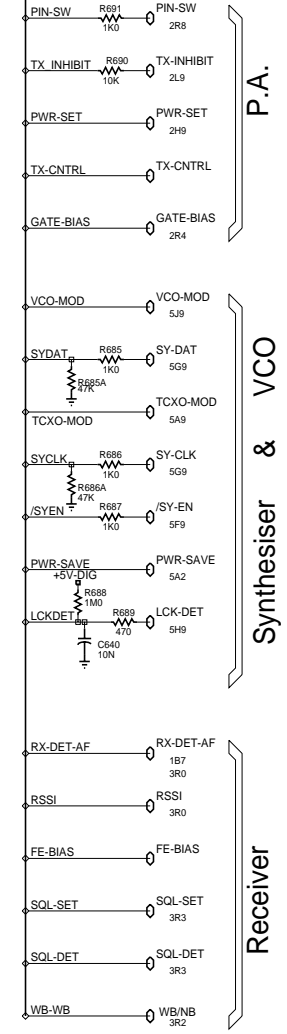
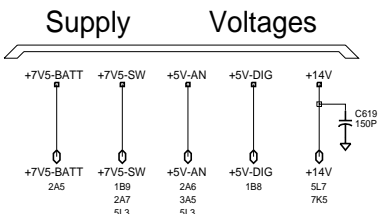
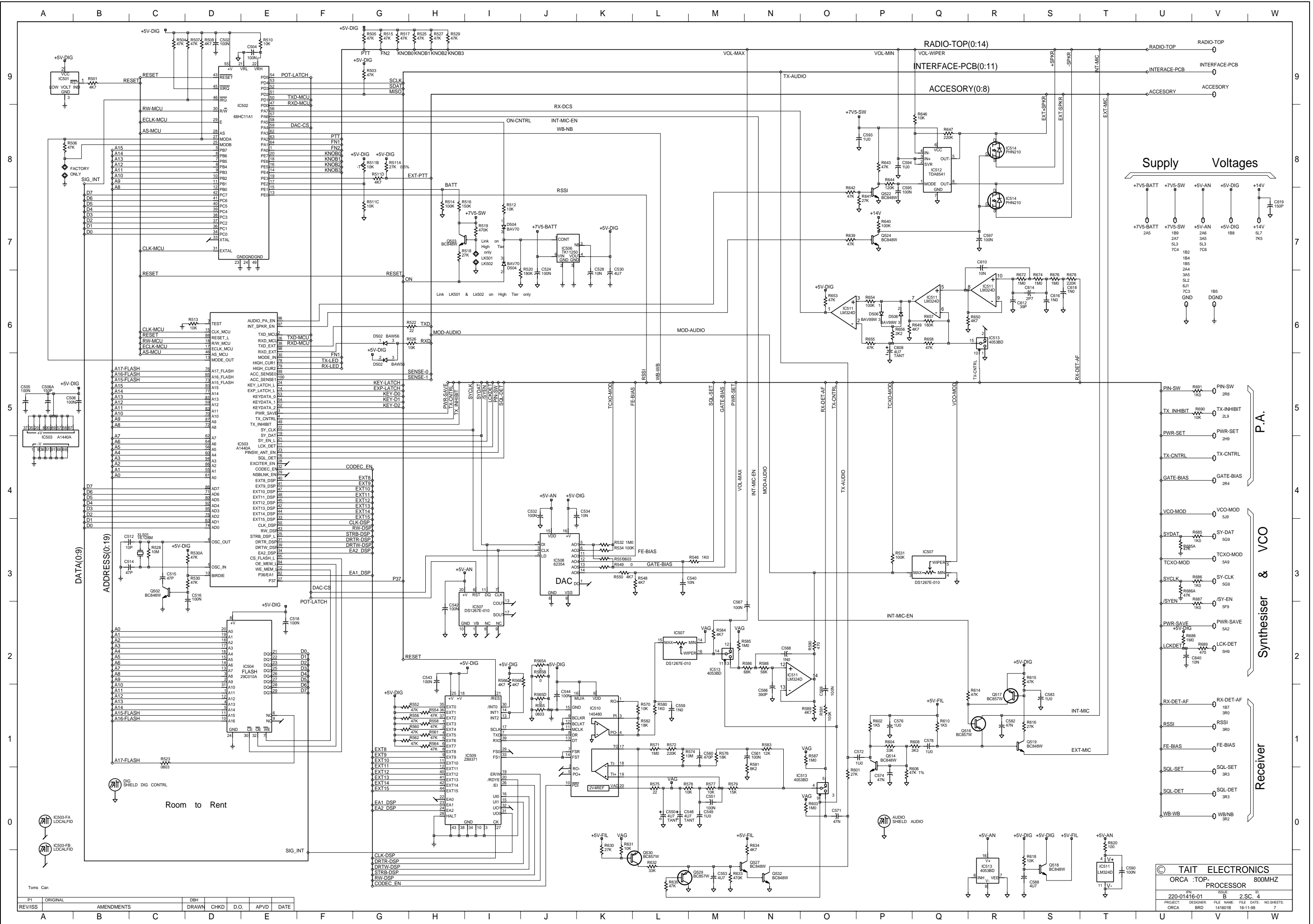


Variant Table

| Part | NB | MB | WB |
|-------|------|-----|------|
| XF303 | G | | D |
| XF304 | G | | D |
| R349 | -T | 10k | NF |
| R350 | 2k7 | | NF |
| C370 | 22p | | 22P |
| C369 | 330P | | 330P |

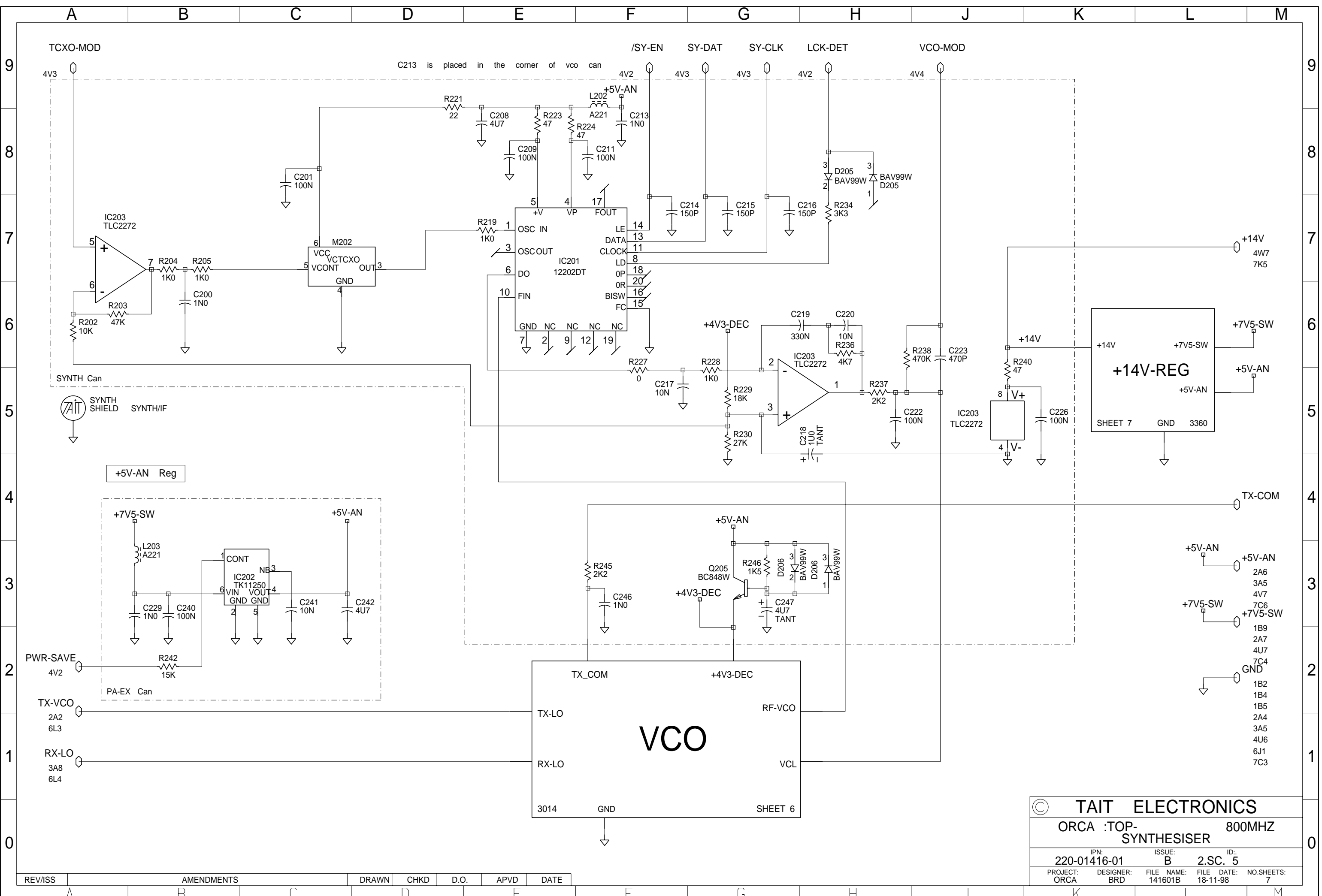
© TAIT ELECTRONICS
 ORCA :TOP- 800MHZ RECEIVER
 IPN: 220-01416-01 ISSUE: B ID: 2.S.C. 3
 PROJECT: ORCA BRD DESIGNER: 141601B FILE NAME: 18-11-98 NO.SHEETS: 7

| REV/ISS | AMENDMENTS | DRAWN | CHKD | D.O. | APVD | DATE |
|---------|------------|-------|------|------|------|------|
| | | | | | | |



| | | | |
|--------------------|----------|-----------|-------------|
| © TAIT ELECTRONICS | | | |
| ORCA :TOP- | 800MHZ | | |
| PROCESSOR | | | |
| 220-01416-01 | B | 2-SC-4 | |
| PRODUCT | DESIGNER | FILE NAME | FILE DATE |
| ORCA | BRD | 1416018 | 18-11-98 |
| | | | NO SHEETS 7 |

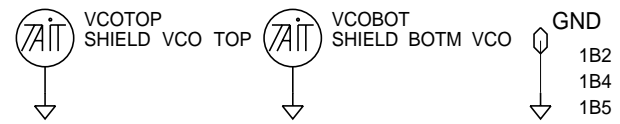
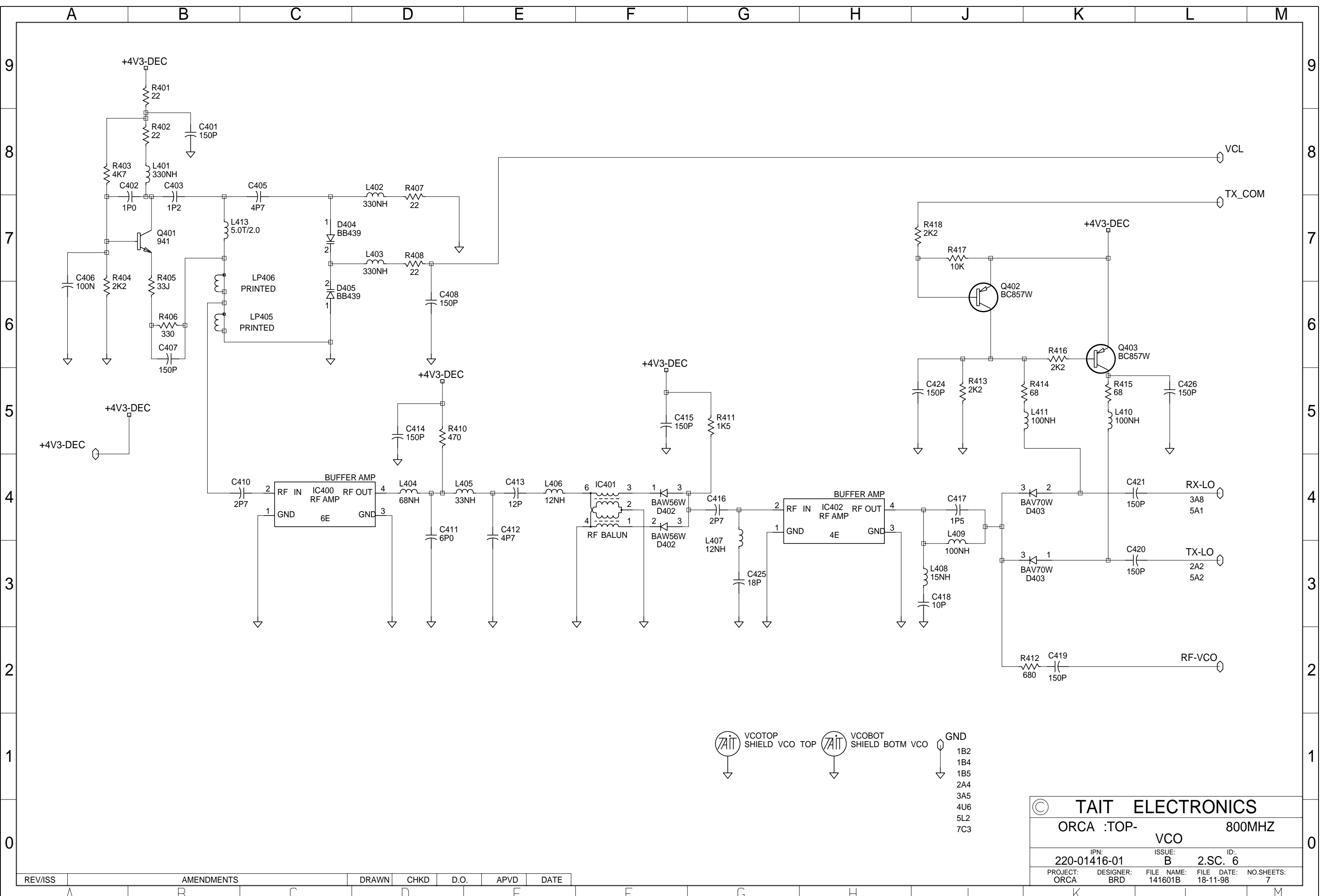
| REV/ISS | ORIGINAL | AMENDMENTS | DRAWN | CHKD | D.O. | APV/D | DATE |
|---------|----------|------------|-------|------|------|-------|------|
| P1 | | | DBH | | | | |



© TAIT ELECTRONICS
 ORCA :TOP- 800MHZ
 SYNTHESISER
 IPN: 220-01416-01 ISSUE: B ID: 2.SC. 5
 PROJECT: ORCA DESIGNER: BRD FILE NAME: 141601B FILE DATE: 18-11-98 NO.SHEETS: 7

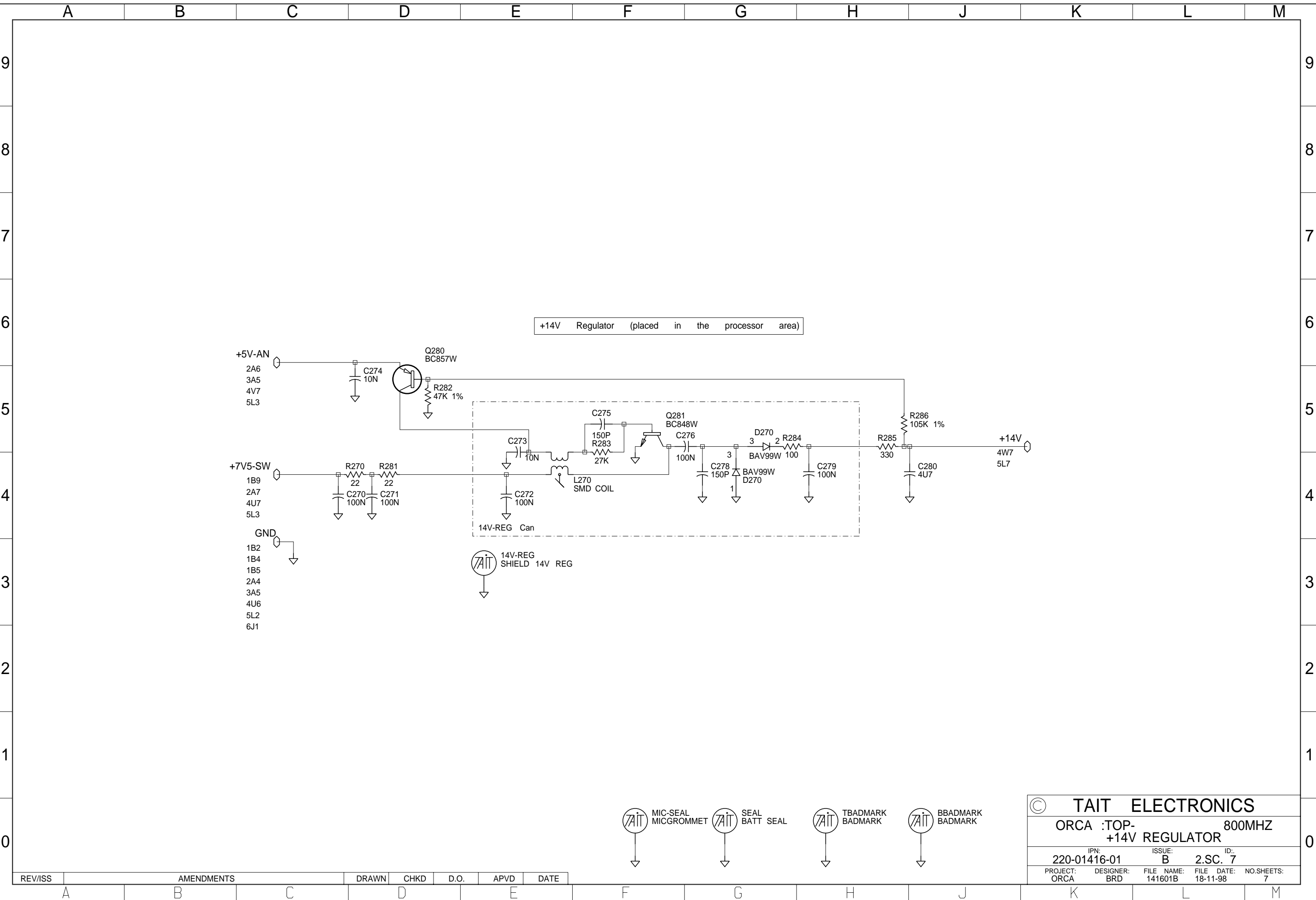
| REV/ISS | AMENDMENTS | DRAWN | CHKD | D.O. | APVD | DATE |
|---------|------------|-------|------|------|------|------|
| | | | | | | |

- +5V-AN 2A6
- +5V-AN 3A5
- 4V7 4V7
- +7V5-SW 7C6
- +7V5-SW 7C4
- GND 1B2
- 1B4
- 1B5
- 2A4
- 3A5
- 4U6
- 6J1
- 7C3

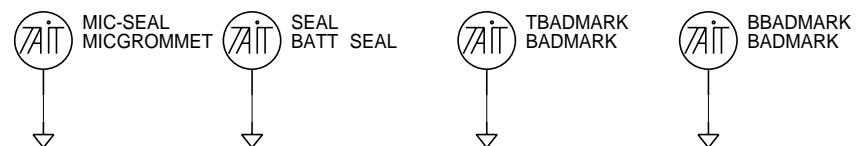
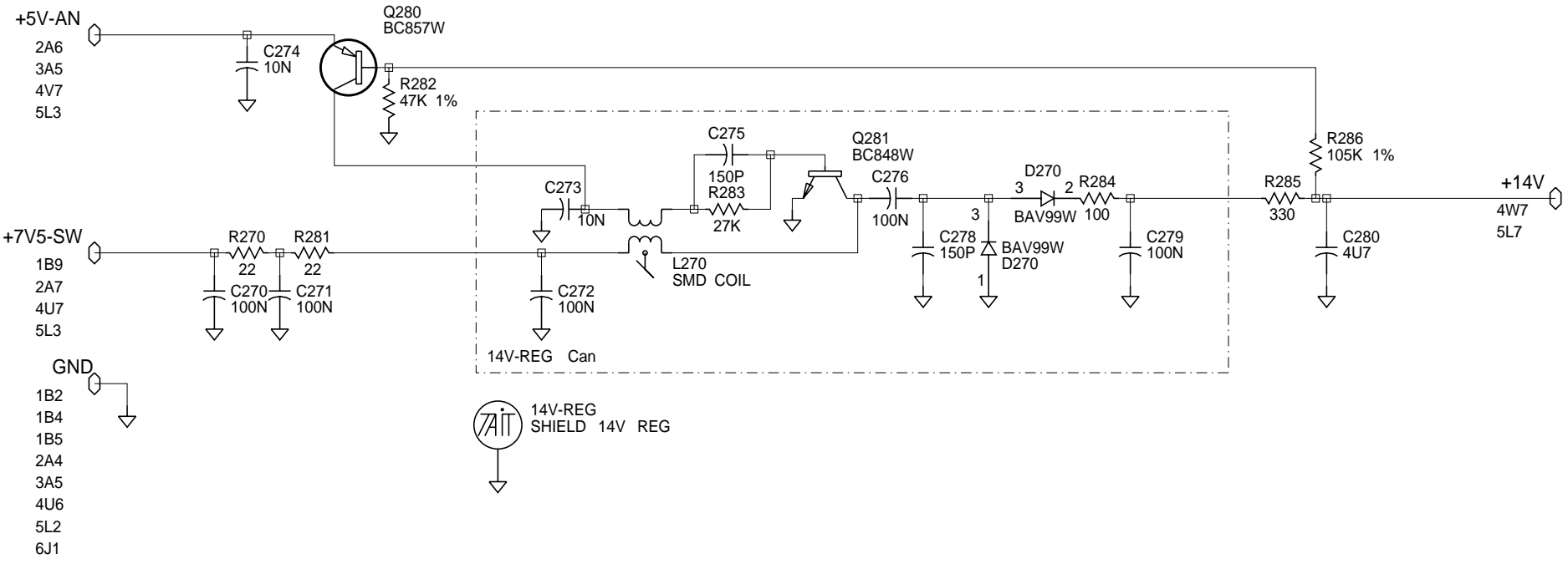


| | |
|--------------------|---------------------|
| © TAIT ELECTRONICS | |
| ORCA :TOP- | 800MHZ |
| VCO | |
| IPN: 220-01416-01 | ISSUE: B |
| PROJECT: ORCA | DESIGNER: BRD |
| FILE NAME: 141601B | FILE DATE: 18-11-98 |
| NO. SHEETS: 7 | ID: 2.SC. 6 |

| REV/ISS | AMENDMENTS | DRAWN | CHKD | D.O. | APVD | DATE |
|---------|------------|-------|------|------|------|------|
| | | | | | | |

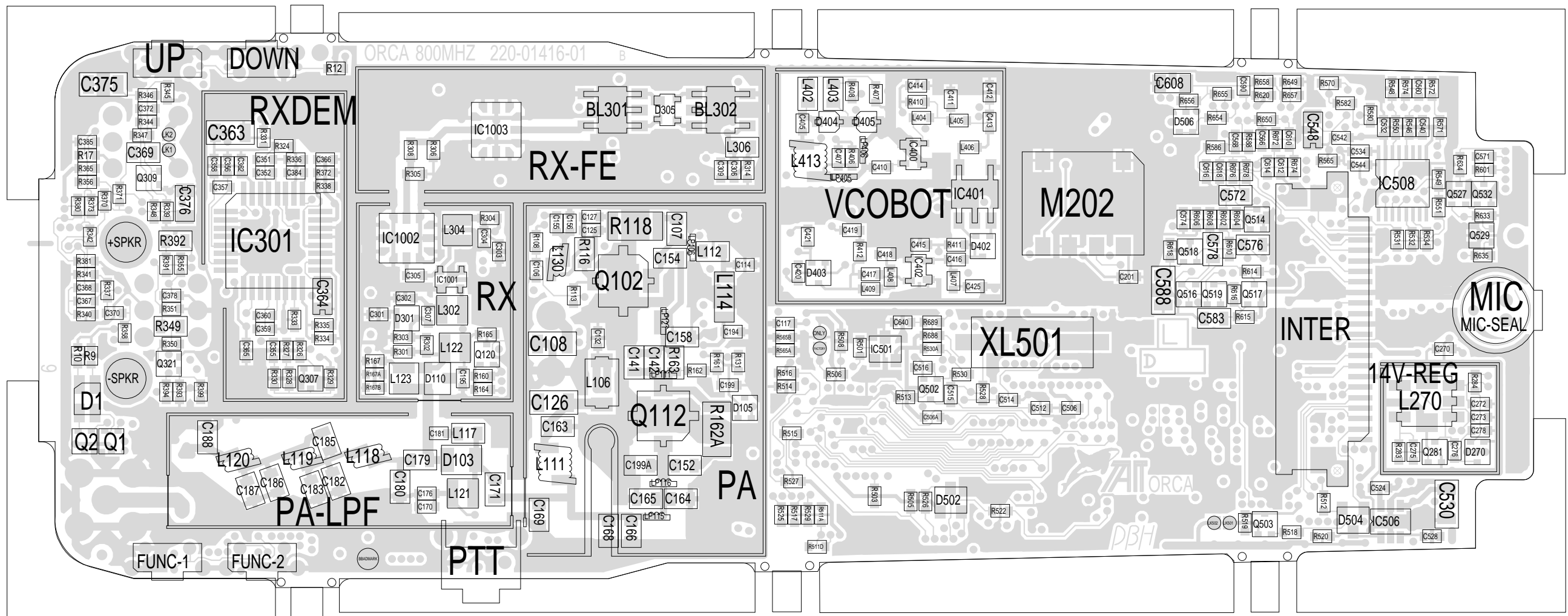


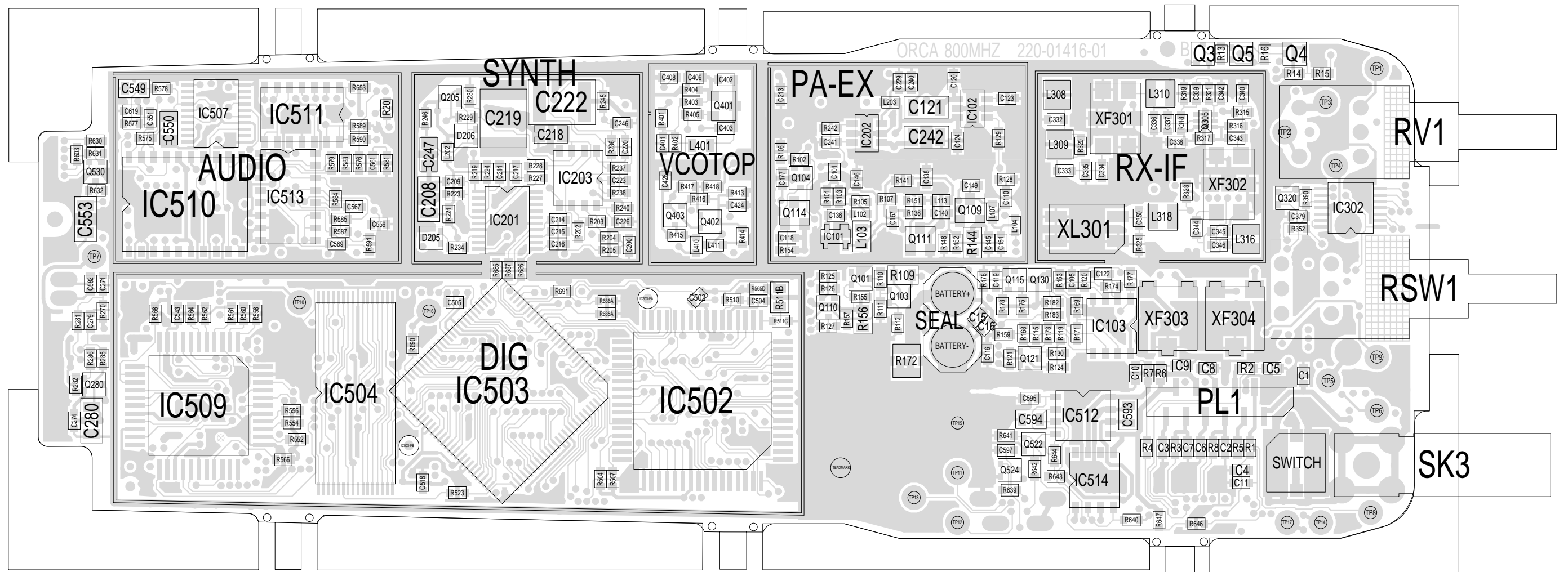
+14V Regulator (placed in the processor area)



| | | | | |
|--------------------|-----------|------------|------------|------------|
| © TAIT ELECTRONICS | | | | |
| ORCA :TOP- | | 800MHZ | | |
| +14V REGULATOR | | | | |
| IPN: | ISSUE: | ID: | | |
| 220-01416-01 | B | 2.SC. 7 | | |
| PROJECT: | DESIGNER: | FILE NAME: | FILE DATE: | NO.SHEETS: |
| ORCA | BRD | 141601B | 18-11-98 | 7 |

| REV/ISS | AMENDMENTS | DRAWN | CHKD | D.O. | APVD | DATE |
|---------|------------|-------|------|------|------|------|
|---------|------------|-------|------|------|------|------|





| | | | | |
|-----------------------------------|-------------------|-----------|----------|-------------------|
| TAIT ELECTRONICS | IPN: 220-01416-01 | ISS: -01B | ID: 1.TA | DATE: 18 Nov 1998 |
| ORCA 800MHZ PCB LAYOUT - TOP SIDE | | | | |

Scale: 2.3:1 ; Rotation: 0 degrees